

| Rev | Date       | Description | By | Chkd. |
|-----|------------|-------------|----|-------|
| D0  | 05.03.2026 | Draft Issue | IH | NC    |

Client: **Kilkenny County Council**

Project: **IDA Belview Infrastructure Development**

Title: **Proposed Detail Drawing Of Concrete Box Culvert**

Scale @ A1: **1:50**

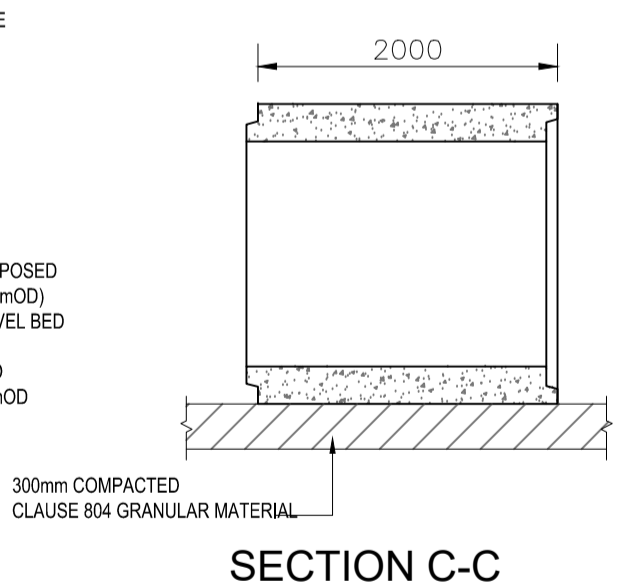
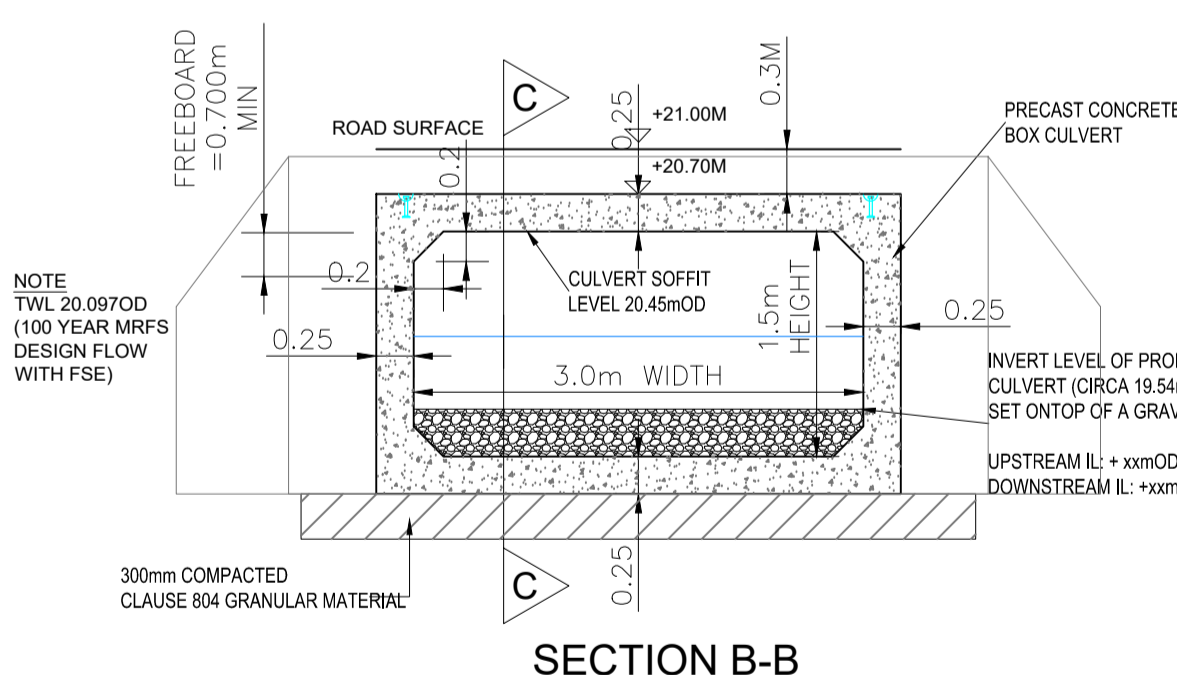
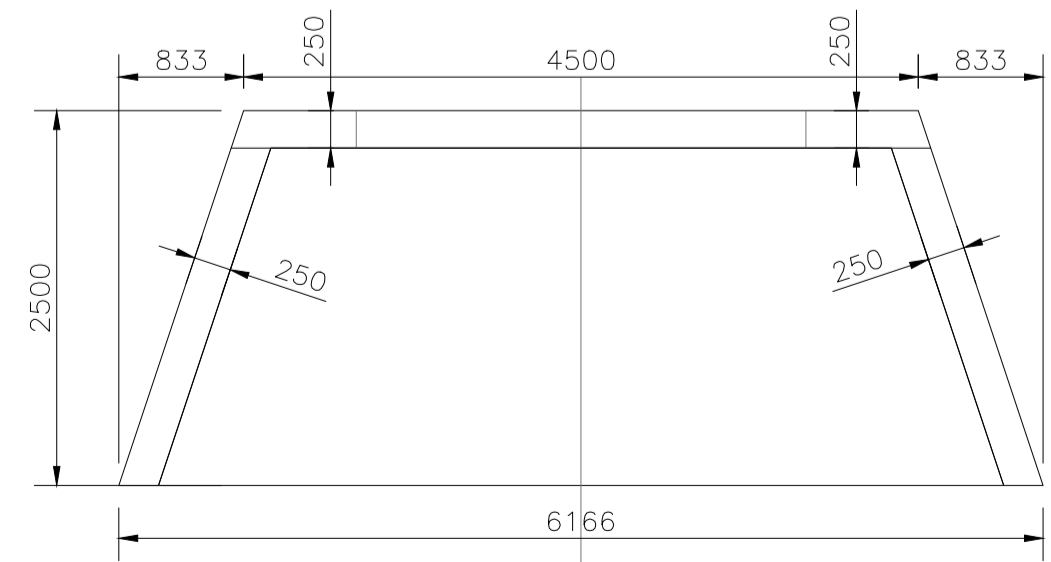
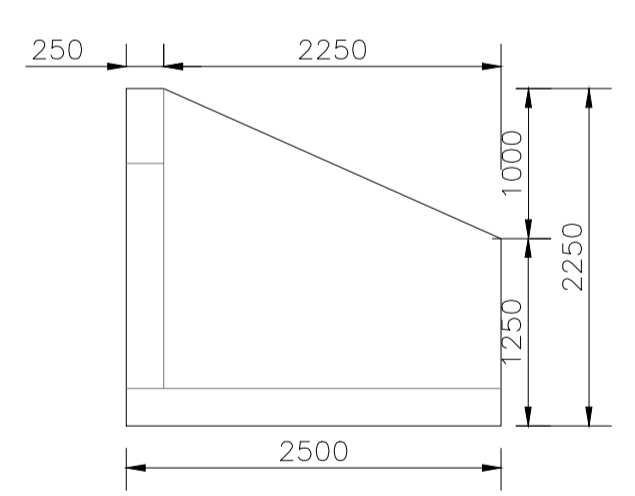
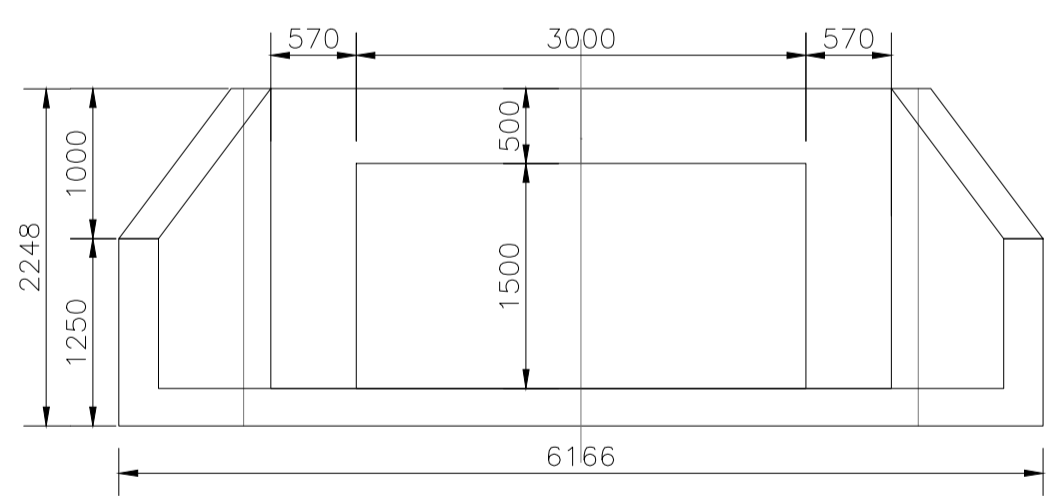
Prepared by: **IH**      Checked by: **NC**      Date: **05.03.2026**

Drawing Status: **Planning**

**TOBIN**

Tel: +353 (0)91 565 211  
Email: info@tobin.ie  
www.tobin.ie

Drawing No.: **12001-2032**      Revision: **D0**



- PERFORMANCE SPECIFICATION**
- Precast reinforced concrete box culvert, internal width 3.0 m, internal height 1.5 m, total installed length 6.0 m
  - Culvert supplied in three precast units to form 6 m length, plus two precast headwalls, manufacture and delivery only.
  - Concrete grade C40/50, CEM I, standard grey.
  - Nominal reinforcement allowance used by supplier
  - 200 kg/m<sup>3</sup> (total ~5.6 t across the quoted units), subject to final design.
  - Lifting anchors cast in, with lifting design and calcs for temporary condition provided by manufacturer.
  - Manufacturing tolerances to BS EN 13670:2009 and BS EN 13369:2013; units CE-UKCA marked as applicable
  - Precast RC headwalls at inlet and outlet, with galvanised steel 42.4 mm Kee Klamp handrail (or equivalent) fixed to headwall sides